



Hydrogen
For Health

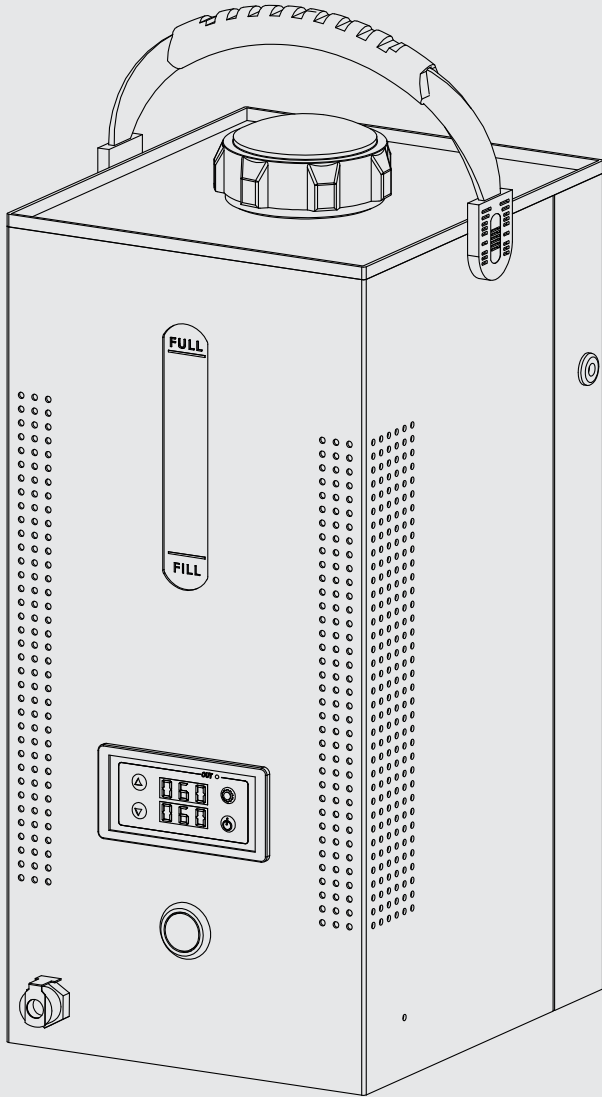
Brown's Gas Therapy Machine v5.0

H2Life BGv5

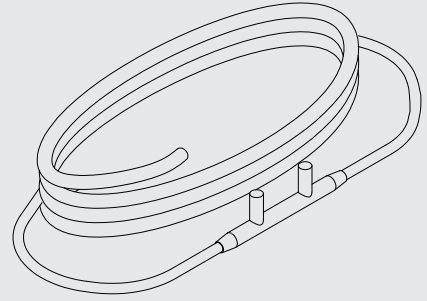
User's Manual

Part List.....	3
BGv5 Machine Diagram.....	4
Installation Manual.....	5
Operation Instructions.....	8
Troubleshooting.....	13
Maintenance.....	15
Warranty.....	16
Legal Disclaimer.....	17

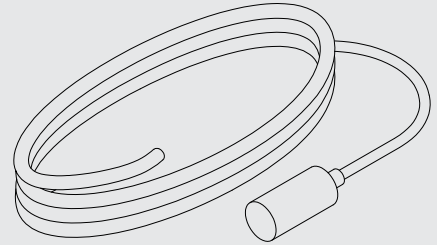




Brown's Gas Therapy Machine



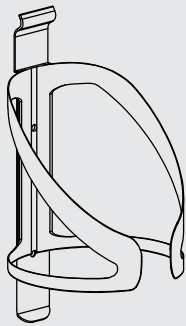
Cannula



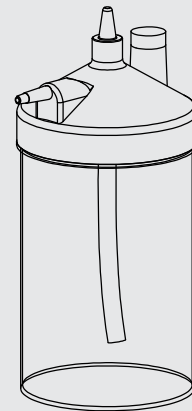
Stone Diffuser



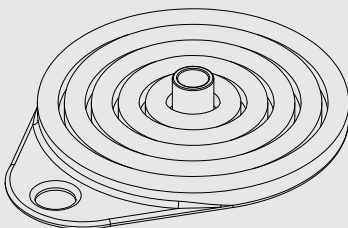
Water Trap



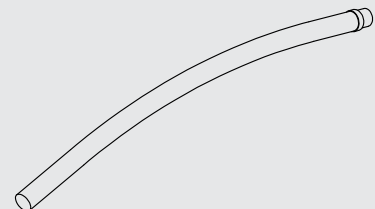
Bubbler Bracket



Bubbler



Collapsible Funnel



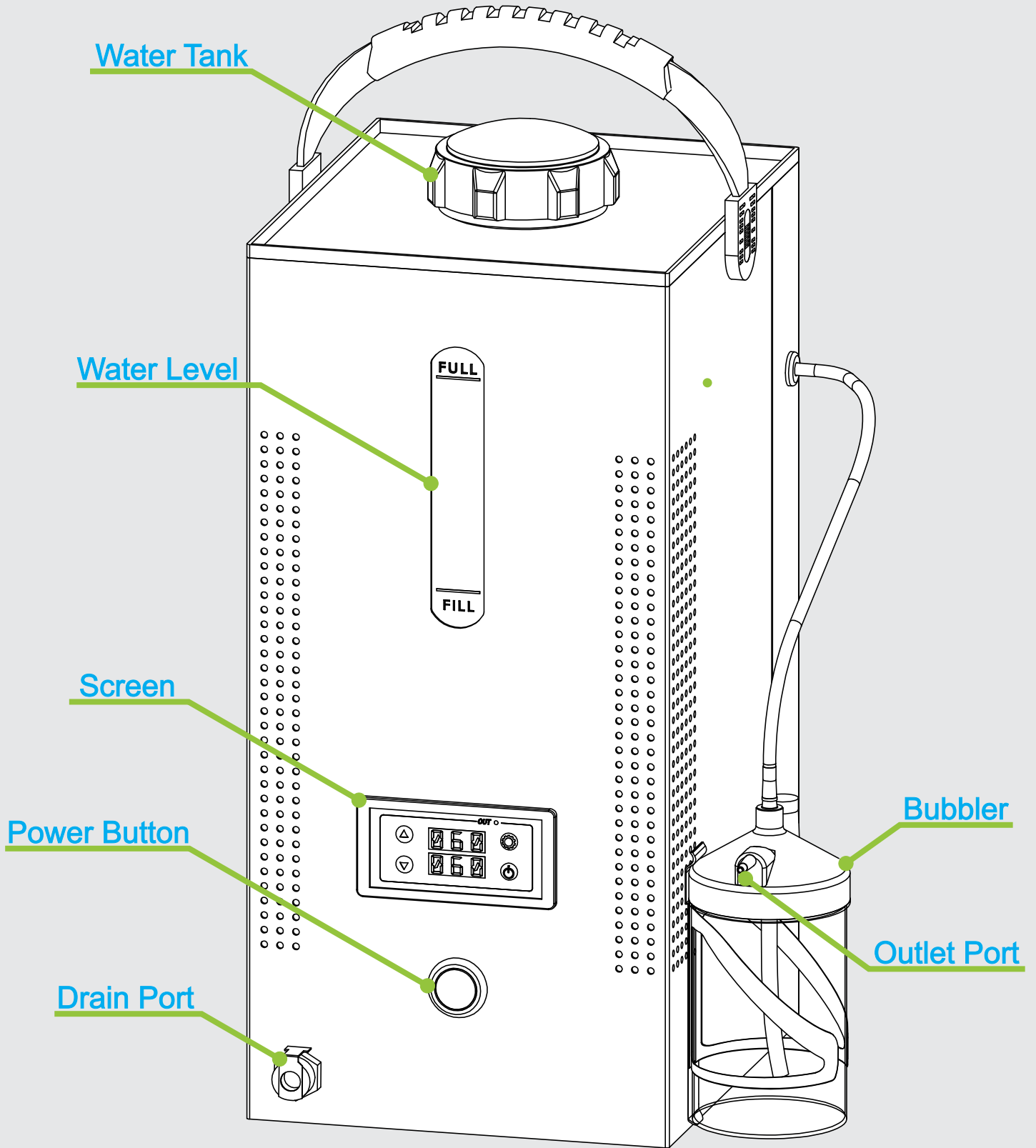
Drain Hose

Items shown are not to scale

Note

This system requires Distilled Water to operate which is not included. This item is available in most grocery stores. Reverse osmosis water, tap water, bottled water or any other kind of water will not work.



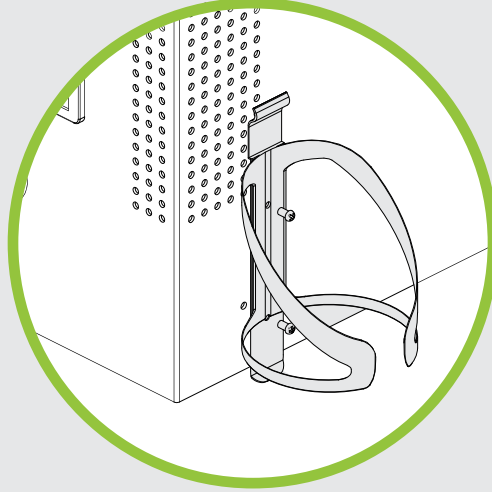


1

Perform a visual inspection of the machine. Look for any damage that may have occurred during shipping. Contact us if there is any damage to the machine or any of the accessories. Look for our contact info at the end of this document.

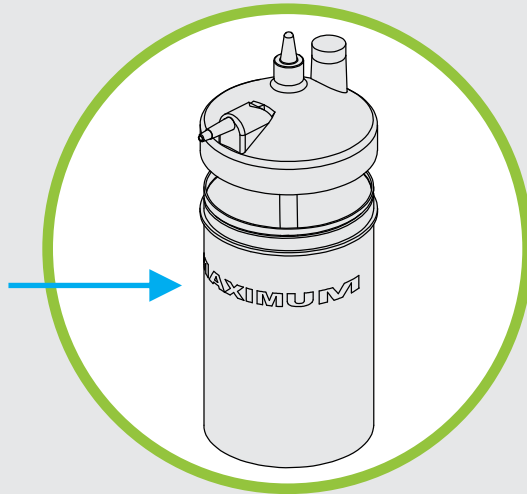
2

Install Water Bubbler's bracket by screwing in provided philips screws as shown:



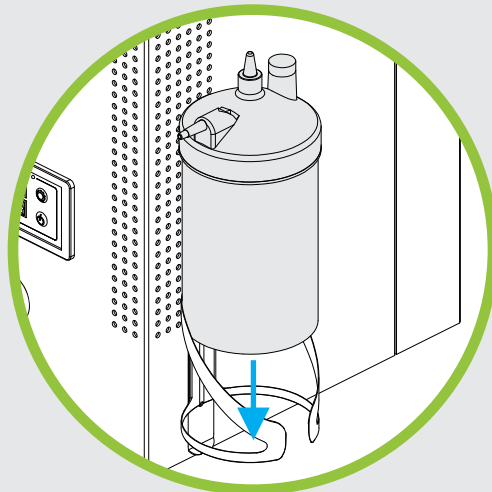
3

Take the Water Bubbler's cap off. Fill Water Bubbler with distilled water up to the "Maximum" mark, as shown. Once it is full, place the cap back on.



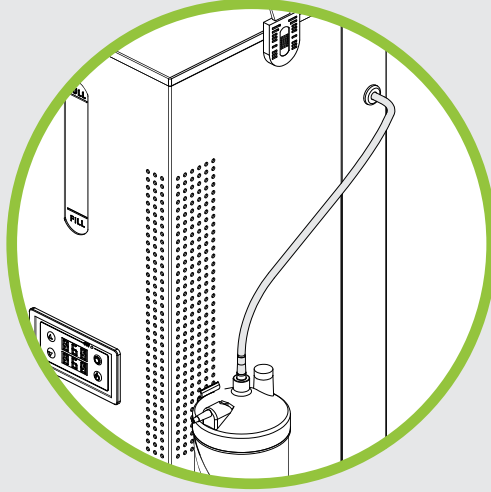
4

Attach Water Bubbler to the machine by sliding it in its bracket, as shown below:



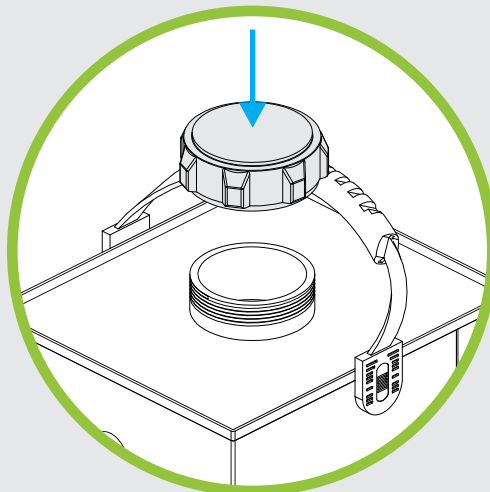
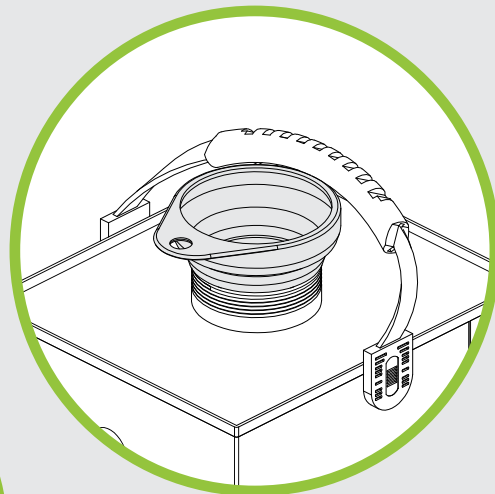
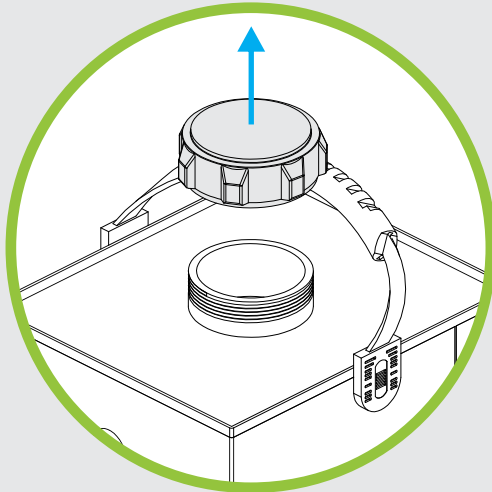
5

Connect the water line to the gas outlet port on the side of the machine and to the top of the Water Bubbler. Follow the diagram below:



6

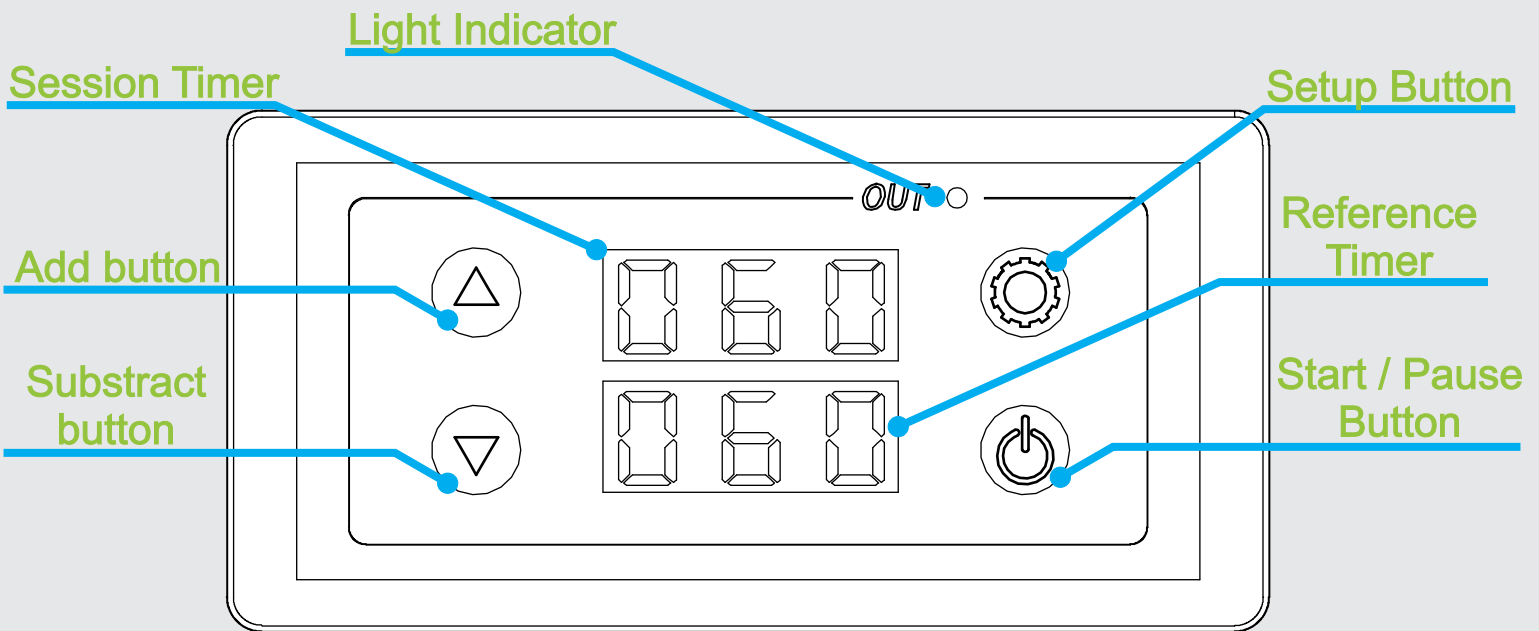
Take the machine's water tank cap off. Fill up the water tank with distilled water. You may use the provided funnel included in your accessory pack. Fill the water tank up to the "Max" marking.



7

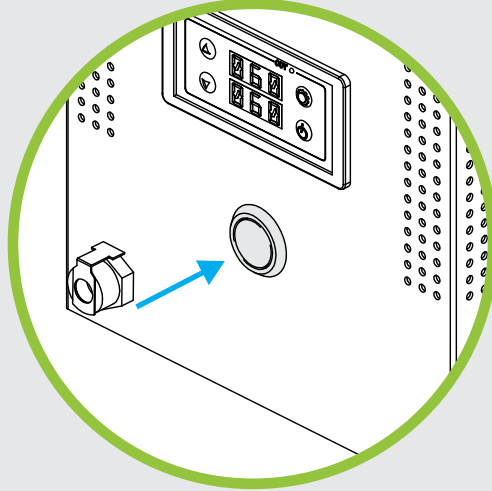
Drop the Deionizer "packet" into the Water Tank. Place the water tank's cap back in place. Make sure to tighten well.





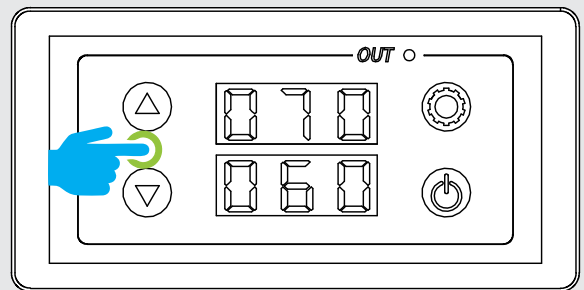
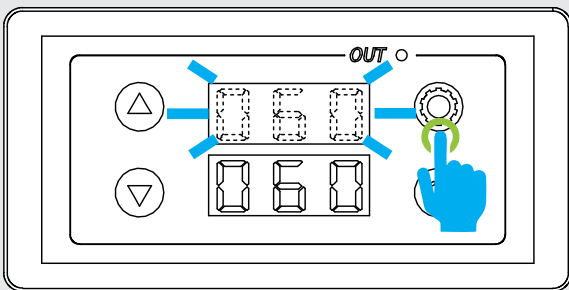
1

Press the Power Button to turn the Machine on. You'll see the machine's tank light up blue and hear the Machine's fans running as an indication that your BGv5 is on.



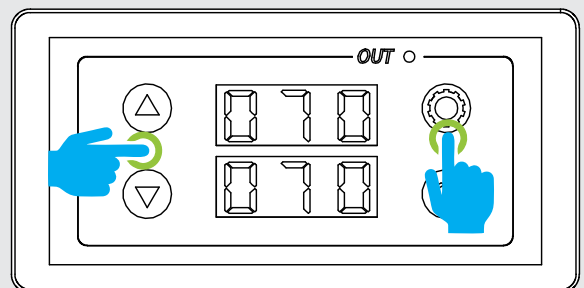
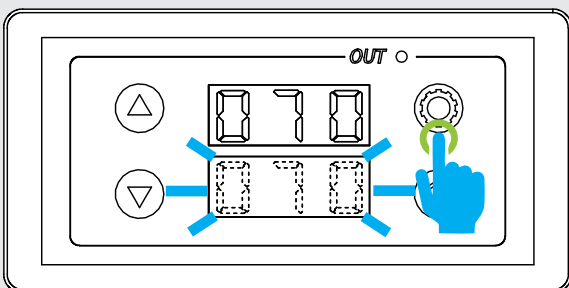
2

Press the “top right” button to set the “session” time. The session timer will start flashing. Use the “up” and “down” buttons to set your desired session time.



3

Press the “top right” button once again to set your “reference” time. The reference display will start flashing. Use the “up” and “down” buttons to set your reference time. Once you have set your reference time, press the “top right” button once again.



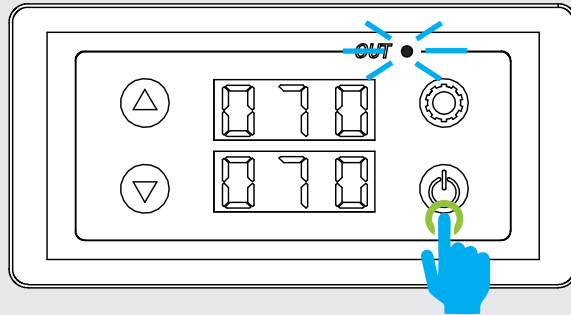
Note

Always set both timers to the same time to avoid BGv5 misuse.



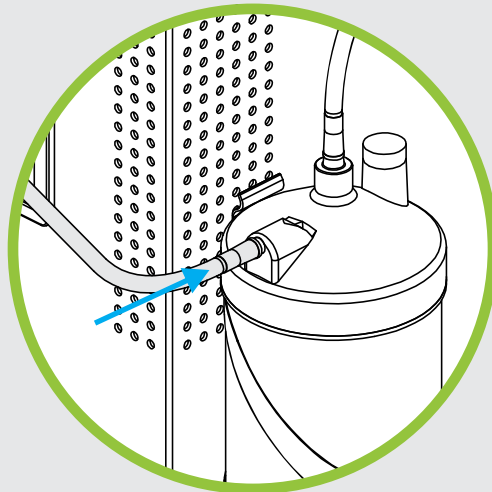
4

Start your inhalation session by pressing the bottom right button. You'll know your BGv5 has started operating once you see the "Out" light illuminate in red and hear and see bubbles in the water bubbler.



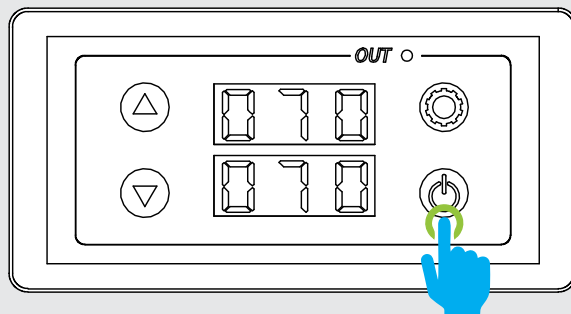
5

Plug your choice of Nasal Cannula or Diffuser Stone into the outlet port as shown below:



6

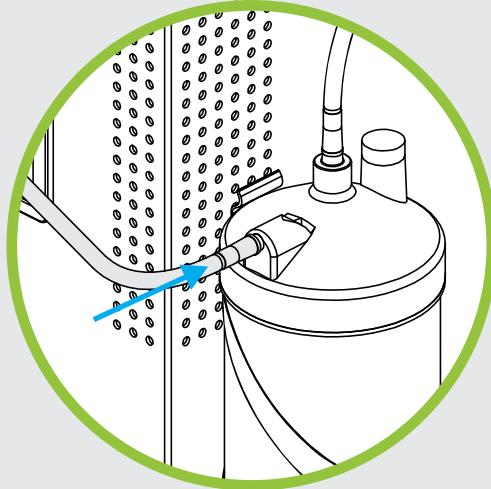
Feel free to pause your BGv5 machine at any time by pressing the "bottom right" button:



Using your BGv5 Machine to inhale Hydrogen

1

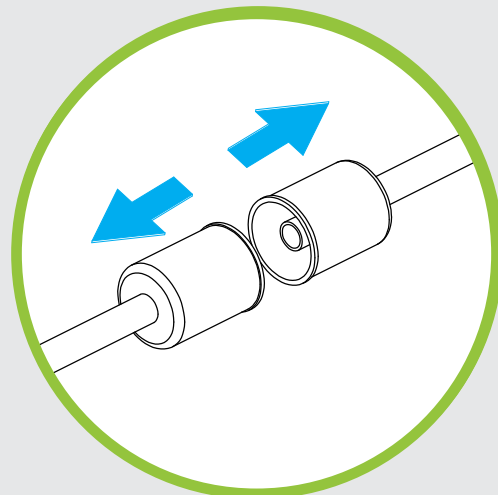
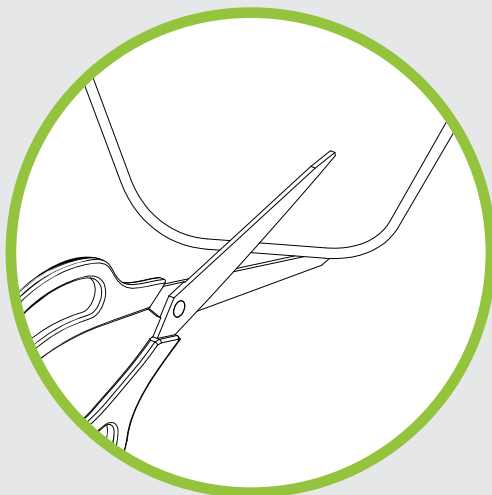
Insert the cannula into the Hydrogen outlet port on the side of the machine, as shown:



Note:
It is recommended to install the water trap if you plan on inhaling Hydrogen for long periods of time. To install water trap follow the instructions below:

2

Measure 1ft to 2ft up your cannula hose measuring it from the Machine's outlet. Cut hose using household scissors. Install the Water Trap by attaching both sides of the recently cut hose to it.



3

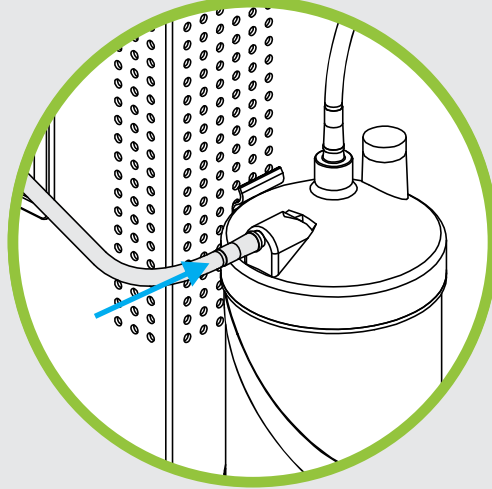
Attach both sides of the Water trap. After inhaling Hydrogen for a while; check for water inside the water trap. To pour the water inside simply open it up from the center



Using your BGv5 Machine to make Hydrogen Water

1

Insert the stone diffuser into the Hydrogen outlet port, as shown:



2

Drop your stone diffuser into a glass with drinking water.

Recommendations:

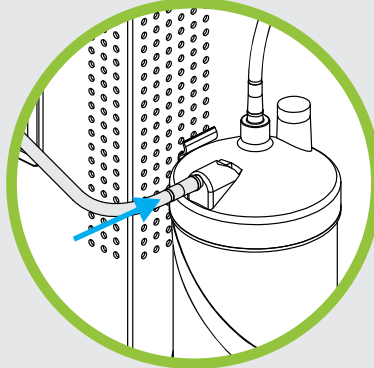
- Let diffuser stone in the glass or container for 15 to 20 min for each liter of water.
- After making Hydrogen Water, consume it within the next hour. Storing Hydrogen Water in a sealed container will not keep Hydrogen in.



Using your BGv5 Machine for cupping (Topical skin application)

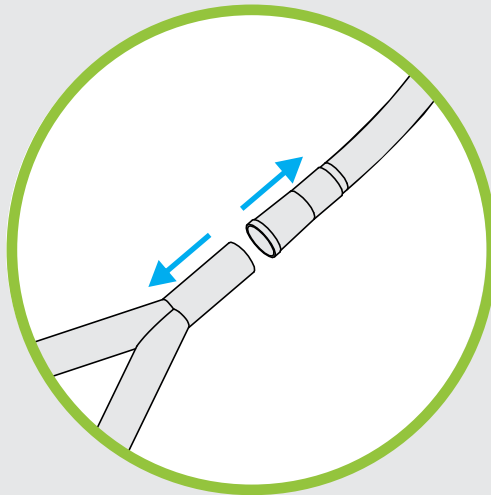
1

Plug cannula into outlet port as shown;



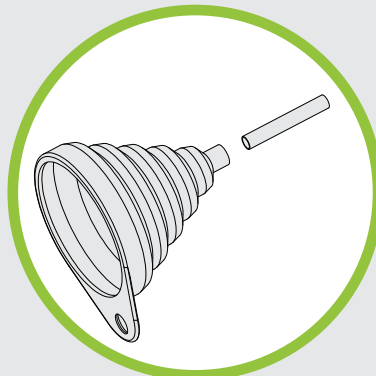
2

Disassemble cannula by separating the single hose from where it splits, as shown



3

Insert the end of the cannula hose in the clear plastic tubing to then plug the latter into the plastic funnel. Follow the diagram below:



4

Place funnel in the desired part of your skin where you'll like to apply Hydrogen



My timer is not functioning properly and/or the upper screen is showing the letters “P0”, “P1” or “P2”.

Possible cause:

- You may have entered into programming mode by accident and changed the machine's functions.

Solution:

Step 1.

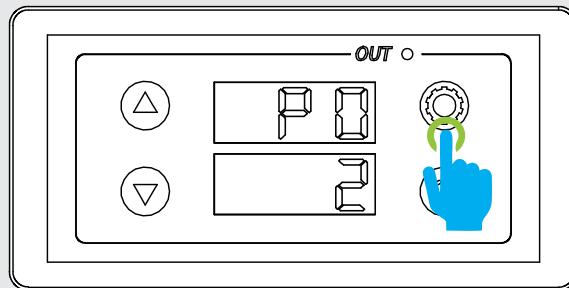
Turn your Bgv5 machine off and turn back on by pressing the “Power button”.

Step 2.

Long press the “Top right” button until the upper screen shows “P0”.

Step 3.

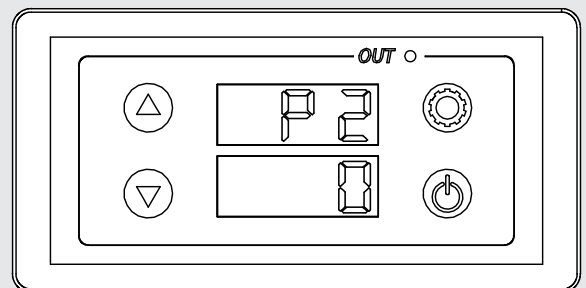
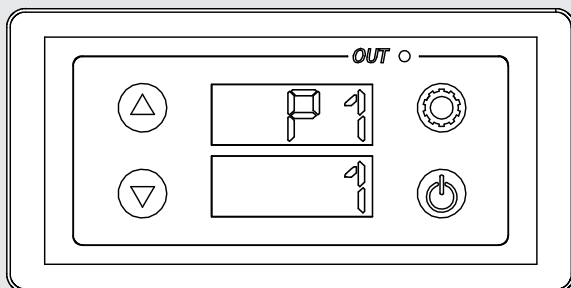
You are now on the programming mode screens. There are three different programming screens: “P0”, “P1” and “P2”. The first screen, “P0” should be displaying the number “2”, like so:



If the number shown on the screen is not “P2”; change it to “2” by pressing the “Up” or “Down” buttons.

Step 4.

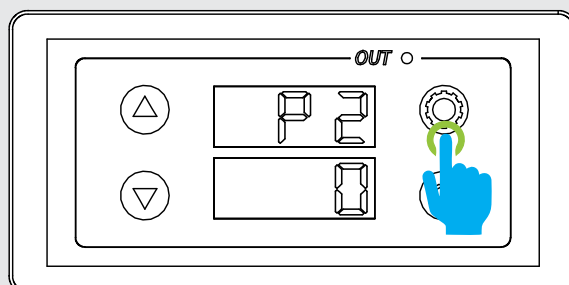
Press the “Top right” button to go to the next screen: “P1” and so on. Confirm that these screens are showing the values shown below.



If the numbers are different than the ones shown above, change them using the “Up” or “Down” buttons to change the values.

Step 5.

Press the “Top right” button once again to go back to the normal screens.



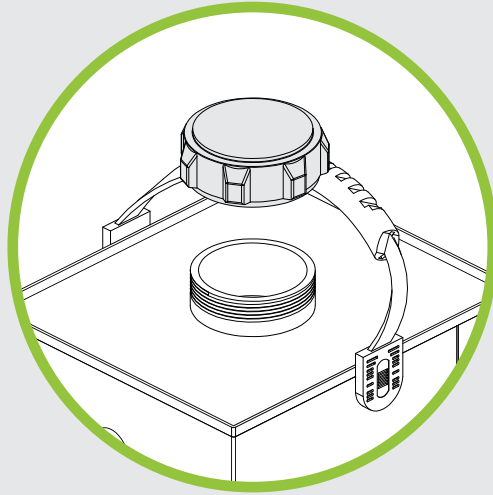
My water tank is bubbling but the water bubbler is not.

Possible cause:

- Your tank's cap might not be well tightened.

Solution:

Take the tank's cap fully off and put it back on. Make sure that the cap is fully tightened. You may do this while your BGv5 machine is running to confirm that the issue has been solved.



No gas coming out of the cannula or stone diffuser

Possible cause:

- The bubbler's cap might not be fully tightened.
- Bubbler's cap threads could be misaligned.

Solution:

Take the bubbler's cap fully off and put it back on. Make sure that the threads are aligned when installing the cap and that it is fully tightened. To confirm that the issue has been solved you may submerge your cannula or stone diffuser in a glass of water.

Perform the following every week:

1

Perform a visual inspection of the water tank. If the water level indicator is down by more than an inch proceed to the following step.

2

Fill up the water tank up to the “Max” marking. You may choose to use either water from the Water Bubbler or fresh distilled water. If you choose to use water from the Water Bubbler remember to top it off once it reaches the “Minimum” marking. .

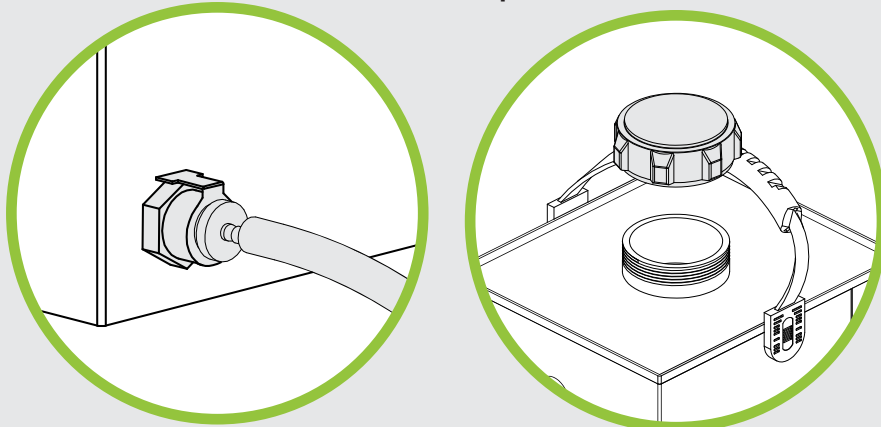
Perform the following every 2 to 3 months

1

Take your BGv5 machine and place it near a sink or bucket.

2

Plug the drain hose into the drain port. Make sure that the end of the drain hose is pointing to the sink or a recipient. You may take the tank’s cap off so water flows down quicker.

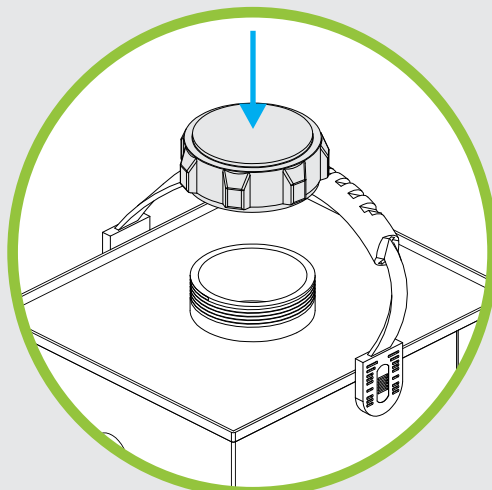


3

Once the tank is fully drained, disconnect the drain hose. Disattach the water bubbler as well and replace the water inside it with fresh distilled water.

4

Fill up the Water Tank with fresh distilled water. Be careful to not overflow the tank. Fill up to just below the full line and Drop-in a new packet of deionizer. Place the tank’s cap back on. Make sure to tighten well.



Thanks for purchasing our products at Hydrogen for Health operated by Dell Property LLC.

In order to be eligible for a refund, you have to return the product within 60 calendar days of your purchase. The product must be in the same condition that you receive it and undamaged in any way. You will be charged a 3% restocking fee. This fee pays for our selling fees that are not refunded to use upon your refund.

After we receive your item, our team of professionals will inspect it and process your refund. The money will be refunded to the original payment method you've used during the purchase. For credit card payments it may take 5 to 10 business days for a refund to show up on your credit card statement.

If the product is damaged in any way, or you have initiated the return after 60 calendar days have passed, you will not be eligible for a refund.

Customer is responsible for all shipping costs. You will be charged a shipping fee equal to the amount of the cost to originally ship the product to you.

If anything is unclear or you have more questions feel free to contact our customer support team.



PRODUCT DISCLAIMER

THE FOLLOWING TERMS AND CONDITIONS APPLY TO ALL SALES AND USES OF HYDROGEN4HEALTH PRODUCTS OR SERVICES. PLEASE REVIEW THESE TERMS CAREFULLY. THESE TERMS AND CONDITIONS INCLUDE LIMITED WARRANTIES, DISCLAIMERS OF LIABILITY, AND ARBITRATION PROVISIONS. KEEPING, USING, OR ALLOWING USE OF THE PRODUCT OR SERVICES INDICATES YOUR AGREEMENT TO THESE TERMS. IF YOU DO NOT WISH TO AGREE TO THESE TERMS, YOU HAVE 14 DAYS FROM DATE OF PURCHASE TO RETURN THE UNUSED PRODUCT, SUBJECT TO OUR RETURN POLICY.

Defined Terms: "Hydrogen4Health" means Dell Property LLC, and any and all of its affiliates and/or subsidiaries and/or business agents, servants and employees. "Products" means all equipment, gear, videos or related goods sold on this website or otherwise available by Hydrogen4Health.

Use at own risk: Products sold by Hydrogen4Health include equipment and supplements used in inhaling hydrogen and drinking hydrogen water. Hydrogen4Health strongly encourages and you agree to consult with your physician before using the Products. Please follow all instructions and use the Products only as directed.

Assumption of the Risk: By buying, using, participating in the use of Hydrogen4Health Products, you understand and agree that ingesting hydrogen can be a high risk activity and, to the extent permitted by law, YOU EXPRESSLY AND VOLUNTARILY ASSUME THE RISK OF DEATH OR OTHER PERSONAL INJURY SUSTAINED WHILE PARTICIPATING IN SUCH USE WHETHER OR NOT CAUSED BY THE NEGLIGENCE OR ANY OTHER FAULT OF HYDROGEN4HEALTH including but not limited to equipment malfunction from whatever cause, or any other fault of Hydrogen4Health. Additionally, you agree to indemnify, defend, release and hold Hydrogen4Health harmless from any third party claims arising from such high risk activities or use of any other Hydrogen4Health Product.

Limited Replacement Warranty: Hydrogen4Health warrants to the original purchaser that the Products are free from defects in materials and workmanship for a period of 1 year from date of purchase, provided they have not been subjected to obvious abuse, neglect, misuse or installation. Hydrogen4Health sole liability is limited to repairing or replacing products that are returned within this 1 year period, subject to the terms of our Return Policy.

WARRANTY DISCLAIMER: THE ABOVE STATED WARRANTIES ARE IN LIEU OF ALL OTHER WARRANTIES EXPRESSED OR IMPLIED INCLUDING THE WARRANTIES OF MERCHANTABILITY AND FITNESS FOR A PARTICULAR PURPOSE AND OF ALL OTHER OBLIGATIONS AND LIABILITIES OF HYDROGEN4HEALTH. HYDROGEN4HEALTH NEITHER ASSUMES, NOR AUTHORIZES ANY OTHER PERSON TO ASSUME FOR IT, ANY OTHER LIABILITY IN CONNECTION WITH THE SALE OF THE PRODUCTS. THE ABOVE LIMITED WARRANTIES SHALL NOT APPLY TO ANY PRODUCT THAT HAS BEEN SUBJECT TO ACCIDENT, NEGLIGENCE, ALTERATION, ABUSE, OR MISUSE. THE TERM "ORIGINAL PURCHASER" AS USED IN THIS WARRANTY MEANS THE PERSON TO WHOM THE PRODUCT IS ORIGINALLY SOLD OR SHIPPED TO AS SHOWN ON THE SALES INVOICE. THESE WARRANTIES SHALL APPLY ONLY WITHIN THE BOUNDARIES OF THE UNITED STATES.

Limitation of Liability: As set forth above under the limited warranty provisions, Hydrogen4Health's liability is limited to repair or replacement of its Products which are returned in accordance with its return policy. In no event shall Hydrogen4Health's liability exceed the value of the products sold. Hydrogen4Health shall not be liable for any special or consequential damages that result from the use of any Products. Applicable law may not allow the limitation or exclusion of liability of special or consequential damages so the above limitation or exclusion may not apply to your purchase, but it is intended to be the maximum limitation as permitted by law.

Warning: Use and misuse of Hydrogen4Health Products, sold through Hydrogen4Health's website or otherwise, involves serious risks including injury, disability and death. Purchasers, users and participants assume all risk of injury. Hydrogen4Health cannot and will not be responsible for the misuse or unauthorized and improper use of Hydrogen4Health Products. Hydrogen4Health's Products are intended for use only in connection with the corresponding Hydrogen4Health video. Use of the Products is for personal and domestic use only. Hydrogen4Health Products are not intended for use by children. Anyone under the age of 18, may use the product only under full supervision and care of their parent or guardian who purchased the product. Products sold through Hydrogen4Health are not medical devices and are considered experimental.

Inspect Before Each Use: This product must be inspected for use to ensure it has not been damaged in shipment. If damaged, do not use and immediately return the product to Hydrogen4Health for a replacement.

Applicable Law and Resolution of Disputes: Your order from Hydrogen4Health shall be interpreted and construed in accordance with laws of the State of Utah without regard to its choice of law principles. You agree that any dispute or claim arising out of or in connection with your order or its subject matter or formation (including non-contractual disputes or claims), shall be brought exclusively in the federal or state courts located in Salt Lake City, Utah and for this purpose you hereby submit to the exclusive jurisdiction and venue of such courts. Any cause of action or claim you may have with respect to the purchase of Hydrogen4Health products or any other claim related to the use of products must be commenced within one (1) year after the claim or cause of action arises. Hydrogen4Health's failure to enforce strict performance of any provision of these terms and conditions shall not be construed as a waiver of any provision or right. Neither the course of conduct nor trade practice shall act to modify any of these terms and conditions.

Shipping Policy

We are not responsible both domestically and internationally if your order is stolen from your property delivery address. We can not collect from Insurance if it is confirmed to have been delivered by the Postal Service and stolen from your Mail box or property. We can only respond if the parcel is confirmed to never have been delivered by the Postal Service and deemed lost and therefore never successfully delivered. You are responsible for the security and safe delivery by the Postal Service. We consider our obligation fulfilled and completed once the Postal Authority has given us delivery confirmation to the specified address you put in your order. Your only recourse is to contact your local Postal Authority and discuss your situation with them.

Address

Orem, Utah, 84097

E-mail us

info@hydrogen4health.com

Skype us

Steve Dell

Youtube

Delvis11

Facebook

Hydrogen Water Health

Working Hours

Monday - Friday: 9am -6pm

Weekends and Public Holidays: Closed

